

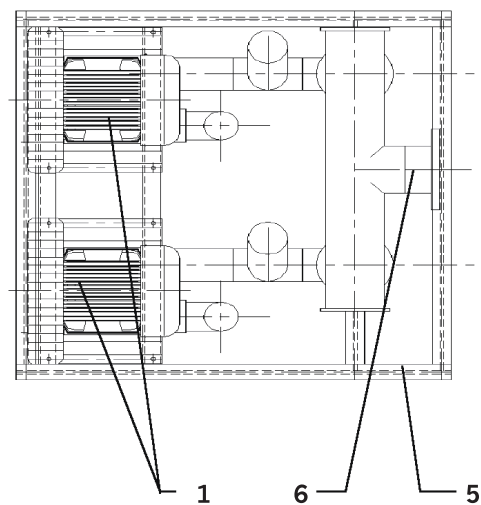
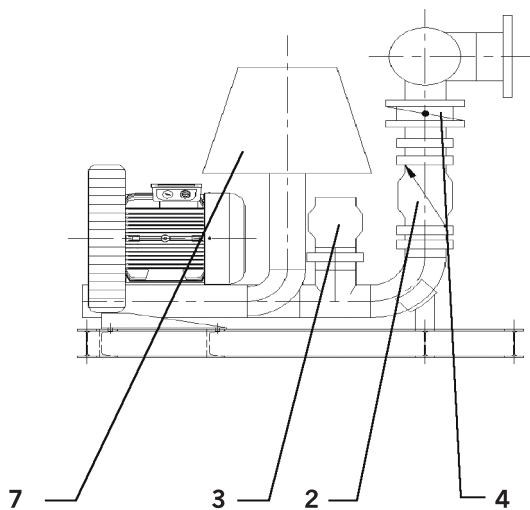
Blowers

► Tanks and equipment

Several tanks on an anodising line need air agitation to improve the quality of the surface treatment. Aluengineering uses a bath agitation system by compressed air specially designed and dimensioned on the actual needs of the line. To produce the compressed air we use special blowers named "Lateral Channel Turbine". In the case of big capacity we assembly two or more blowers, air filters, by-pass valves, non return valves and pressure safety valves in a complete skid built on a steel frame.



Pos.	Description	Q.ty	Pos.	Description	Q.ty
1	Blower K10 MS	2	5	Skid Frame 2703.70.005.2	1
2	Check Valve	2	6	Collector DN150 2703.70.005.2	1
3	VL9 Safety valve	2	7	FL9 Filter	2
4	Butterfly valve 4" (Iron)	2			



The system needs a big quantity of low pressure air (around 0,35 bar): therefore the compressed air generated by a normal compressor (6 – 8 bars) is not efficient.

The blower we propose is a lateral channel turbine, which produces the air flow at the exact pressure requested with no power loss due to over compression.

Performance table

Model	Installed power		Max. differential pressure		Max. noise level		Max. tot. pressure	Weight
	kW		hPa (mbar)		Lp / Lw (1)			
	50 Hz 2900 Min ⁻¹	60 Hz 3500 min ⁻¹	50 Hz 2900 Min ⁻¹	60 Hz 3500 min ⁻¹	50 Hz 2900 Min ⁻¹	60 Hz 3500 min ⁻¹	Mpa (bar)	kg
SCL K07-MS	2.2	2.55	-130 / +130	-100 / +100	76.4	78.4	0.28 (2.8)	46.5
	3.0	3.45	-200 / +200	-175 / +175	76.7	78.7	0.28 (2.8)	47.5
	4.0	4.6	-280 / +280	-250 / +250	77.0	79.0	0.28 (2.8)	51.0
	5.5	6.3	-325 / +400	-375 / +375	77.3	79.3	0.28 (2.8)	61.5
	-	8.7	-	- / +450	-	79.6	0.28 (2.8)	66.5
SCL K75-MS	4.0	4.6	-150 / +150	-100 / +100	77.4	79.4	0.28 (2.8)	51.5
	5.5	6.3	-250 / +250	-200 / +200	77.7	79.7	0.28 (2.8)	62.0
	7.5	8.7	- / +325	-300 / +300	78.0	80.0	0.28 (2.8)	67.0
	9.2	10.7	- / -	- / +400	-	80.3	0.28 (2.8)	76.5
SCL K08-MS	3.0	3.45	-125 / +125	-100 / +100	77.4	79.4	0.28 (2.8)	49.0
	4.0	4.6	-180 / +180	-150 / +150	77.7	79.7	0.28 (2.8)	52.5
	5.5	6.3	-275 / +275	-250 / +250	78.0	80.0	0.28 (2.8)	63.0
	7.5	8.7	-350 / +400	-375 / +375	78.3	80.3	0.28 (2.8)	68.0
	9.2	10.6	- / +450	- / +450	78.6	80.6	0.28 (2.8)	77.5
SCL K09-MS	4.0	4.6	-130 / +130	-85 / +85	78.0	80.0	0.28 (2.8)	62.0
	5.5	6.3	-210 / +210	-150 / +150	78.2	80.2	0.28 (2.8)	72.5
	7.5	8.7	-290 / +290	-250 / +250	78.5	80.5	0.28 (2.8)	77.5
	9.2	10.6	-350 / +350	-325 / +325	78.7	80.7	0.28 (2.8)	87.0
	11	12.7	- / +450	-375 / 400	79.0	81.0	0.28 (2.8)	87.5
	-	17.4	- / -	- / +500	-	81.3	0.28 (2.8)	92.5
SCL K10-MS	5.5	6.3	-160 / +160	-115 / +115	78.1	80.1	0.28 (2.8)	75.0
	7.5	8.7	-250 / +250	-200 / +200	78.5	80.5	0.28 (2.8)	80.0
	9.2	10.6	-300 / +300	-270 / +270	79.0	81.0	0.28 (2.8)	89.5
	11	12.7	-350 / +400	-375 / +375	79.4	81.4	0.28 (2.8)	90.0
	15	17.4	- / +500	- / +500	79.6	81.6	0.28 (2.8)	95.0
SCL K11-MS	5.5	-	-100 / +100	- / -	78.5	-	0.28 (2.8)	78.5
	7.5	8.7	-175 / +175	-130 / +130	80.0	82.0	0.28 (2.8)	83.5
	9.2	10.6	-230 / +230	-175 / +175	80.5	82.5	0.28 (2.8)	93.0
	11	12.7	-300 / +300	-250 / +250	81.0	83.0	0.28 (2.8)	93.5
	15	17.4	-350 / +400	-350 / +350	81.8	83.8	0.28 (2.8)	98.5
	18.5	21.5	- / +500	- / +500	83.6	85.6	0.28 (2.8)	128.5