

# Flight bars

► Accessories

The flight bar allows to move the extruded profiles along the plant, from the loading area to the tanks and, at the end of the process, to the unloading area.

Aluengineering flight bars are extruded from a single billet with our own die which is conceived for perfect current distribution and mechanical resistance. The dimensions of the bar are calculated in relation to the current applied on the process tanks and to the weight of the batch.



## Main advantages:

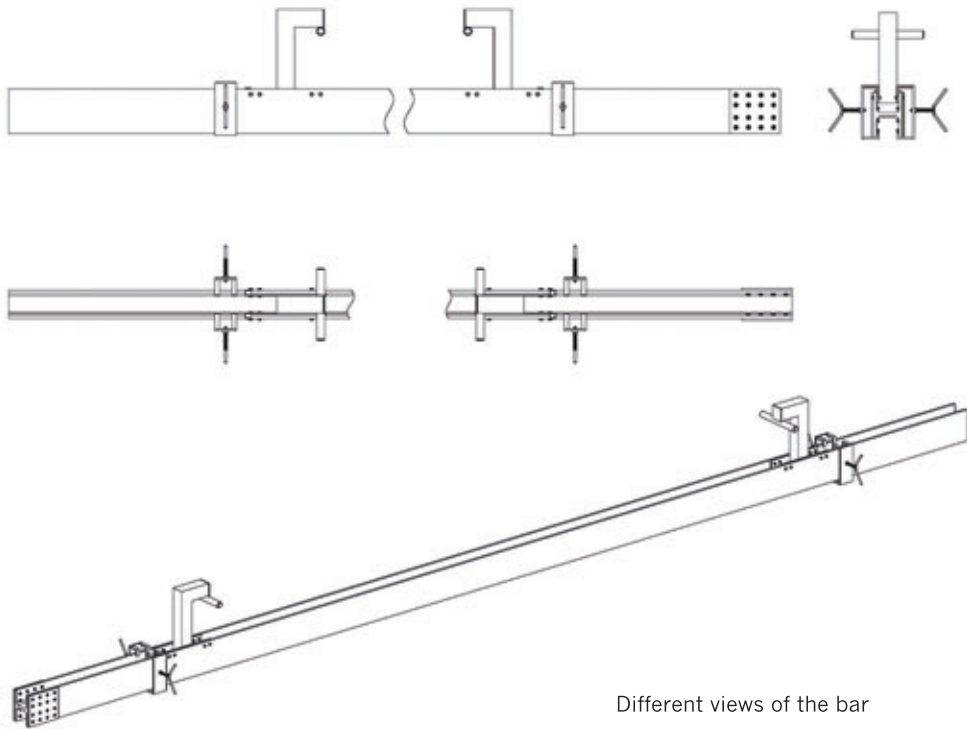
- Absolute mechanical safety during tilting operation which means the flight bar cannot slip out of the hoisting supports;
- A simpler hoisting system that means less maintenance and less fault probability. Compared to other very complex systems on the market we do not rely on articulated mechanisms that double the number of safety devices on the crane, but that do not make the crane safer.
- High performance in the anodizing and electrocoloring treatments: the perfect match with our automatic clamp system.



Terminal of the bar: a copper plate is positioned at the end of the bar for perfect current conductivity.



The hook is appropriately designed to match our cranes and hoisting supports insuring a perfectly safe and simple system.



Different views of the bar